

R125K - 040-ES-01



GROUP

CYLINDER & CYLINDER HEAD

POS**COD****DESCR**

001	F2NA41000	CYLINDER HEAD COVER REEDSTER V OK/OKJ
001A	F2NA41000-C	CYLINDER HEAD COVER REEDSTER V OK/OKJ COMPLETE
002	F1NA44000	DECOMPRESSOR OK/OKJ
003	00072-K	KIT 20 SCREWS TCCE M 6x30 INOX
004	00069-K	KIT 20 SCREWS TCCE M 6X10 INOX
005	00345-K	KIT 20 M6 Cu WASHERS
006	F2NA40500	WATER PIPE FITTING
007	F2NA40300	OR 2400 101.32x1.78 VITON
008	IFA-42200	HEAD GASKET INT. OR REEDST/KZ
009	F4NA40101	HEAD DOME R125J
010	Z2NA20300	HEAD NUT M7 INOX
011	F1NA42000	OR HEAD DOME/HEAD COVER
012	F2NA20501	EXHAUST GASKET OKJ '19
013	F2NH20501	EXHAUST SPACER REEDSTER V OKJ
014	F2NH02001	EXHAUST MANIFOLD REEDSTER V OKJ
015	F1NH20600	SPRINGS BRACKET
016	00331-K	KIT 20 EXHAUST WASHERS M6
017	00042-K	KIT 20 SCREWS TCCE 6x16
018	F2NA20300	FLANGED NUT M8
019	Z2NB10400-0.05	CYLINDER BASE GASKET KZ 5/100
019	Z2NB10400-0.1	CYLINDER BASE GASKET KZ 1/10
019	Z2NB10400-0.2	CYLINDER BASE GASKET KZ 2/10
019	Z2NB10400-0.3	CYLINDER BASE GASKET KZ 3/10
019	Z2NB10400-0.4	CYLINDER BASE GASKET KZ 4/10
019	Z2NB10400-0.5	CYLINDER BASE GASKET KZ 5/10
020	Z2NA20400	STUD BOLT INOX M 7 X 39
024	IFA-40200-0.025	HEAD GASKET CU 0.025 REED/KZ
024	IFA-40200-0.05	HEAD GASKET CU 0.05 REED/KZ
024	IFA-40200-0.10	HEAD GASKET CU 0.10 REED/KZ
024	IFA-40200-0.20	HEAD GASKET CU 0.20 REED/KZ

GROUP

CYLINDER & CYLINDER HEAD

POS	COD	DESCR
25A	F4NA01000	CYLINDER R125K

GROUP PISTON

POS	COD	DESCR
050	IFA-20950	PISTON PIN 15x45
051	IFA-21050	CIRCLIP REEDSTER/KZ
052A	F2NA20600-53.77CV	PISTON OK 53.77V CMP.
052A	F2NA20600-53.79CV	PISTON OK 53.79V CMP.
052A	F2NA20600-53.81CV	PISTON OK 53.81V CMP.
052A	F2NA20600-53.83CV	PISTON OK 53.83V CMP.
052A	F2NA20600-53.85CV	PISTON OK 53.85V CMP.
052A	F2NA20600-53.87CV	PISTON OK 53.87V CMP.
052A	F2NA20600-53.89CV	PISTON OK 53.89V CMP.
052A	F2NA20600-53.91CV	PISTON OK 53.91V CMP.
052A	F2NA20600-53.93CV	PISTON OK 53.93V CMP.

GROUP EXHAUST VALVE

POS	COD	DESCR
031	IFA-81002A	VALVE ADJUSTING KNOB OK '19
032	IFA-80902A	VALVE COVER '19
033	F2NA80801	EXHAUST VALVE SPRING REEDSTER V OK '19
034	IFA-80601	PISTON FOR VALVE'08 REEDSTER
035	IFA-80702	AN. SPRING F1/2/4 REED/XTR'09
036	IFA-80501	DIAPHRAGM REEDSTER, GREEN
037	F3NA80400	EXHAUST VALVE SEAT REEDTER V OK 2023
038	F2NA81100	EXHAUST VALVE GASKET OK '19
039	F1NA82101	OR 6x2 METRIC NBR 70Sh SLIDE VALVE END
040A	F1NA80100-C	SLIDE VALVE OK CMP.
042	00345-K	KIT 20 M6 Cu WASHERS
043	00044-K	KIT 20 ALLEN SCR. CYL. H. 6x20
044A	F4NA08000	EXHAUST VALVE COMPL. R125K
045	00032-K	KIT OF 20 SCREWS TCCE 5x20
046	00301-K	KIT 20 WASHERS M5

047 IFA-81800 EXHAUST VALVE DIAPHRAGM O'RING

GROUP CRANCKCASE

POS	COD	DESCR
033	00113-K	KIT 20 SCREWS TS TORX M5x16
060A	F4NB01000	CRANKCASE R125K
061	00031-K	KIT OF 20 ALLEN SCREWS M5x16
062	F-100536	SHOULDER SHIM SPROCKET TOP
063	F1NF10100	SPROCKET OK/OKJ Z11
063	F1NF10101	SPROCKET OK/OKJ Z12
063	F1NF10102	SPROCKET OK/OKJ Z13
063	F1NF10103	SPROCKET OK/OKJ Z9
063	F1NF10104	SPROCKET OK/OKJ Z14
063	F1NF10105	SPROCKET OK/OKJ Z10
064	E-10426	OIL SEAL FPJ 20x35x7
065	F1NG60000	OIL BREATHER WASHER
066	X30125490	PRESSURE PLUG
067	X30125425A	OIL SEAL MAGN./DRIVE SIDE
068	D-75565	THRUST INT.WASHER H=1,8mm
069	10535	SPROCKET AND MAGNETO NUT
070	30404	STEEL SHIM 0.15
070	30407	STEEL SHIM 0.10
071	35398A	ROLLER BEARING 6205 BC1-1442D
072	F2NC20100	HALF CRANKSHAFT TRANS. SIDE REEDSTER V OK '19
073	F2NC30100	HALF CRANKSHAFT IGNITION SIDE REEDSTER V OK '19
074	11715	SHAFT END/SPROCKET/MAGNETO KEY
075	IFA-40500	WATER PIPE FITTING
077	F1NC80500	OIL SEAL SUPPORT
078	F1NB42000	OR OIL SEAL SUPPORT
080	IFA-20200	STUDBOLT M8x51
082	X30125436	SILVER BRONZE WASHER
083	X30125431	BIG END CAGE
084	S1699/1	CRANK PIN 20x48.8
085A	F4NC50100-C	CON-ROD KIT 104mm R125K/R125J

GROUP CRANCKCASE

POS	COD	DESCR
086A	F4NC00100	CRANKSHAFT R125K
087	IFC-50350	SMALL END ROLLER CAGE
088	F1NG60000	OIL BREATHER WASHER
089	F1NG50000	OIL BREATHER
091	00050-K	KIT OF 20 ALLEN SCREWS 6x50
092	00053-K	20 SCREWS KIT M6X65
093	F2NC30200	STUFFER OK D. 89mm
094	F2NC90000	SEEGER A 13 UNI 7435

GROUP COUNTERSHAFT ASSY

POS	COD	DESCR
120	F1NB40601	BALANCED MASS COVER OK/OKJ
121	00042-K	KIT 20 SCREWS TCCE 6x16
122	00053-K	20 SCREWS KIT M6X65
123	F1NG60000	OIL BREATHER WASHER
124	F1NG50000	OIL BREATHER
125	F1NB45100	BAL. MASS COVER GASKET OK/OKJ
126	00139-K	KIT OF 20 ALLEN SCREWS 8x20
127	F1NC81000	BALANCED MASS WASHER
128	F1NC80900	BALANCED MASS
129	F4NC80300	ROLLER BEARING SKF NJ 203 ECP/C4
130	F4NC80000	MASS SUPPORT SHAFT R125K
131	11715	SHAFT END/SPROCKET/MAGNETO KEY
132	F4NC80400	STOPPER RING PS 15x22x0.5 DIN 988
133	F1NC80800	MASS DRIVEN GEAR
134	F1NC80100	COUNTERSHAFT DRIVE GEAR
135	F1NC80200	MASS GEAR FIXING BOLT
136	IFC-80201	LOCKING NUT
137	F1NB41400	IGN. SIDE COVER GASKET OK/OKJ
138	00041-K	KIT 20 SCREWS M6x10
139	00345-K	KIT 20 M6 Cu WASHERS
140	F1NB40400	GEARS COVER OK/OKJ

141	00345-K	KIT 20 M6 Cu WASHERS
142	00042-K	KIT 20 SCREWS TCCE 6x16
144	IZB-90000	OIL LEVEL GAUGE
145	E-10426	OIL SEAL FPJ 20x35x7

GROUP INLET R125K

POS	COD	DESCR
168	F1NB40800	REED BLOCK HOLDER GASKET
169	F1NB41600	REED BLOCK FLANGE HOLDER
170	F2NB41000	CONVEYOR REEDSTER V OK '19
171	10380	REEDS SCREW
172	IFG-20250	REEDSTER REEDS CLIP
174	IFG-20350-C2	CARBON PETALS KIT 0.26
175A	F1NG02000	REED BLOCK OK
176	F1NB41100	CONVEYOR GASKET REEDSTER
177	F4NB40900	CONVEYOR PYRAMID R125K/R125KJ
178	00047-K	KIT OF 20 ALLEN SCREWS 6x35
179	10358	STUDBOLT 6x34
180	S1868	CARBURETTOR GASKET R125K

GROUP IGNITION

POS	COD	DESCR
250	B-35805-A	COIL GROUND CABLE
260	10561-A	SPARK PLUG NGK BR10EG
261	10544	SPARK PLUG CAP 5KOhm
270	00042-K	KIT 20 SCREWS TCCE 6x16
271	00302-K	KIT 20 WASHERS M6
272	X30125910	SILENT BLOCK BATTERY SUPPORT
273	F1NE03001V	ELECTRONIC BOX SLT OK 034-IG-19
273	F4NE03000	ELECTRONIC BOX PVL OK 036-IG-74
275	00378-K	20 SELF LOCKING NUTS KIT M6
276A	F2NE02000	IGNITION OK/OK/OK-N SLT
276A	F4NE02000	IGNITION PVL OK/OKJ/OKN 036-IG-99/036-IG-74/036-IG-84
277	00032-K	KIT OF 20 SCREWS TCCE 5x20

278	IFE-20900	LOCK WASHER - STATOR
280	F1NE31200	IGN. COIL SUPPORT BRACKET
281	F2NE20200	ROTOR SECURITY LOCKING NUT

GROUP EXHAUST & GASKETS

POS	COD	DESCR
420	F4NZ00001	GASKETS SET R125Z

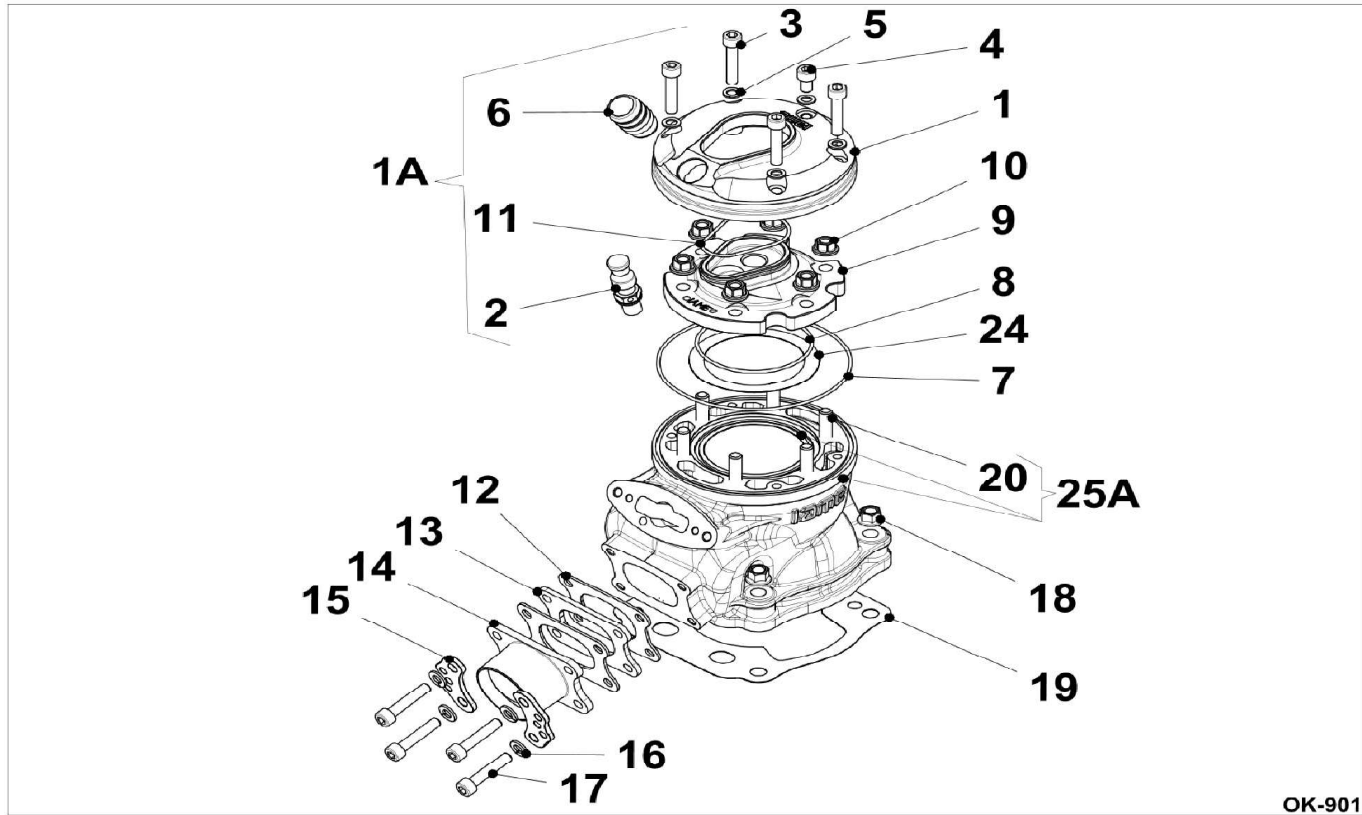
GROUP TOOLS

POS	COD	DESCR
600	10271	PISTON STROKE LOCKER
601A	ATT-010	GEAR PULLER REEDSTER
602	ATT-017	PISTON PIN PUNCH d.15mm
603A	ATT-066/1	SPROCKET LOCKING TOOL Z11/Z12
603B	ATT-066/2	SPROCKET LOCKING TOOL Z13/Z14
604	ATT-048	BEARING RING PULLER
605	ATT-009	IGNITION PULLER REEDSTER
606	ATT-006	CIRCLIP 15mm ASSEM.TOOL

GROUP Cranksh.Ass./Disass. Timing control group

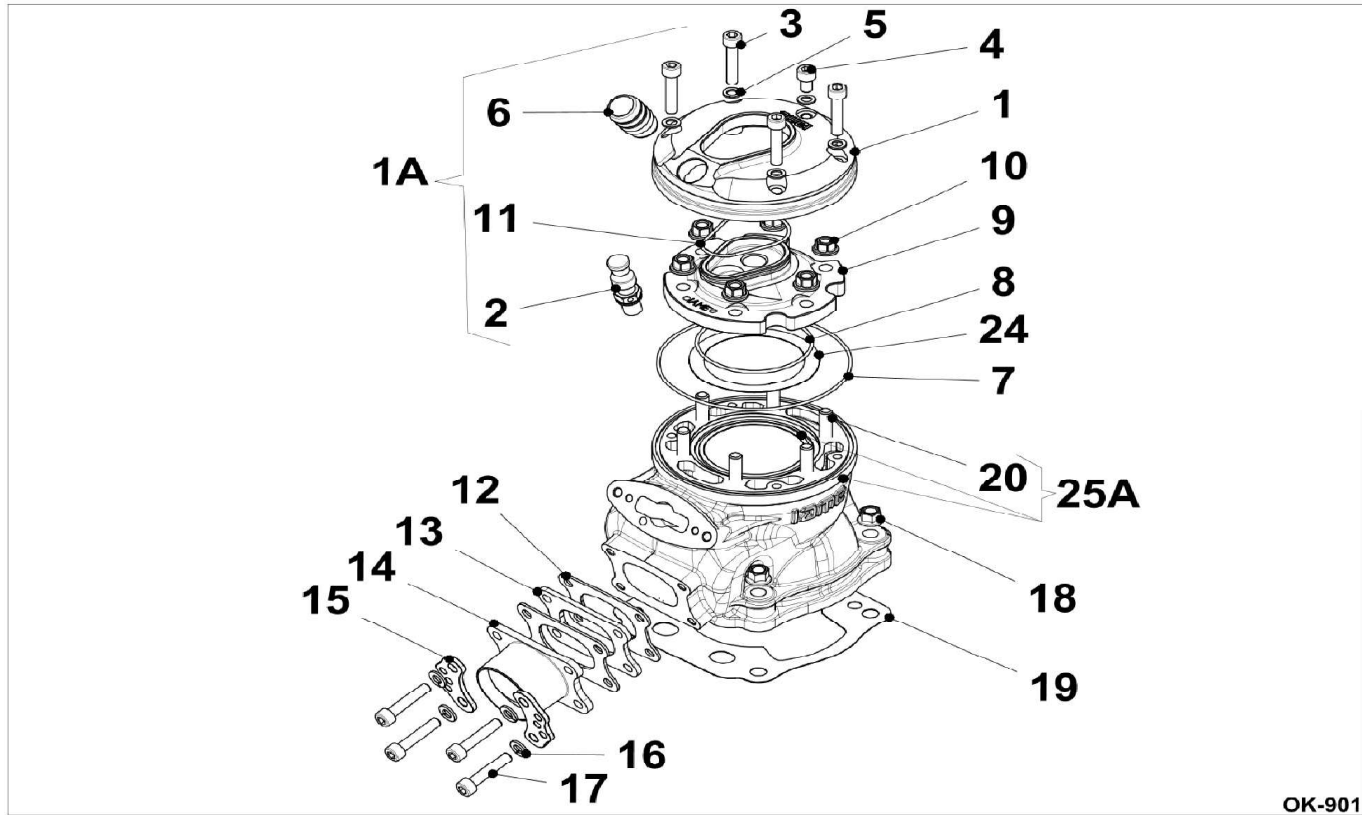
POS	COD	DESCR
650	10110A	CRANKSHAFT ASSY TOOL
652	10150A	CRANK-PIN BUSH 20mm
661	10107	CRANK-PIN PUSHER
663	10104A	CRANKSHAFT PLATE 125cc
664	10100	CRANKSH. DISASSY SUPPORT
668	10106B	CRANKSHAFT INSERT OK/OKJ
690A	10820A	TIMING CHECK DISC TaG/REEDSTER
691A	ATT-014-C	COMPLETE TIMING GROUP ADAPTER

CYLINDER & CYLINDER HEAD



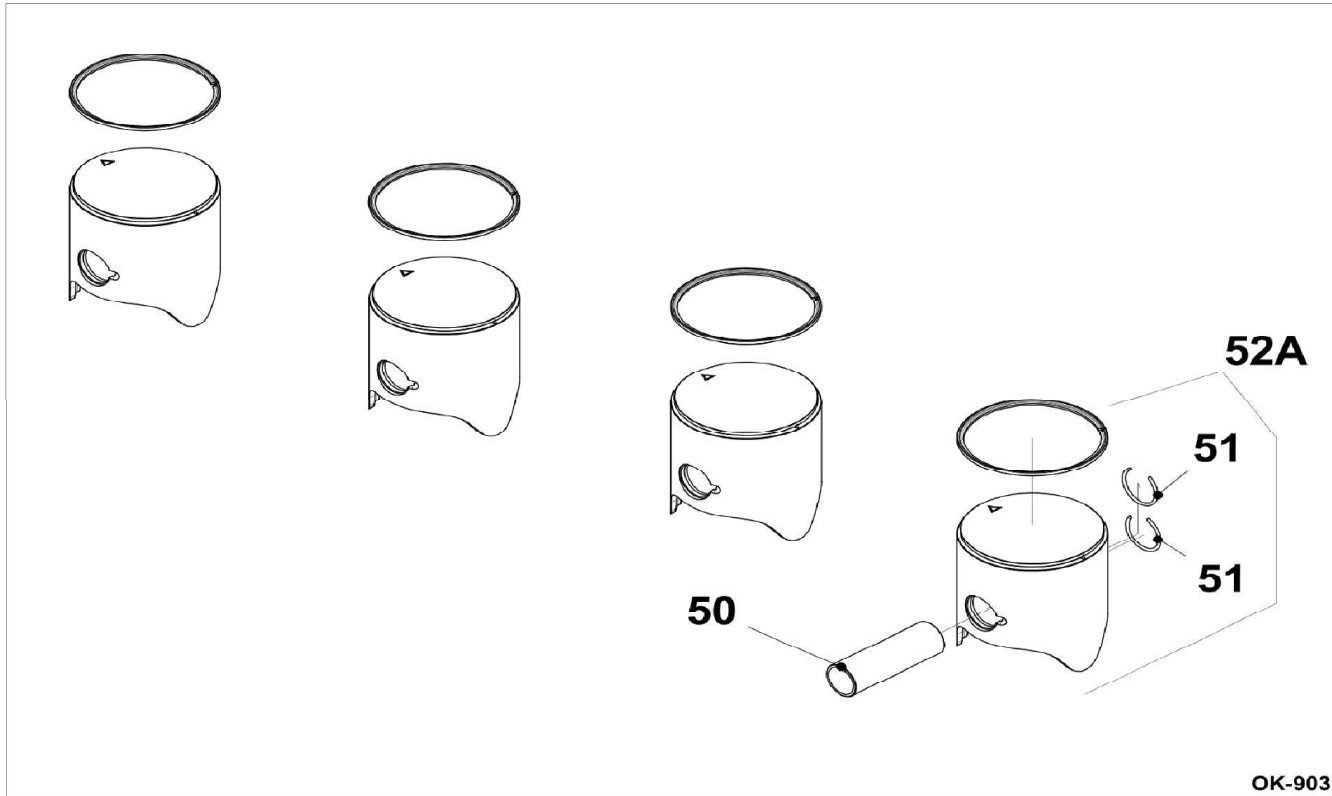
OK-901

CYLINDER & CYLINDER HEAD

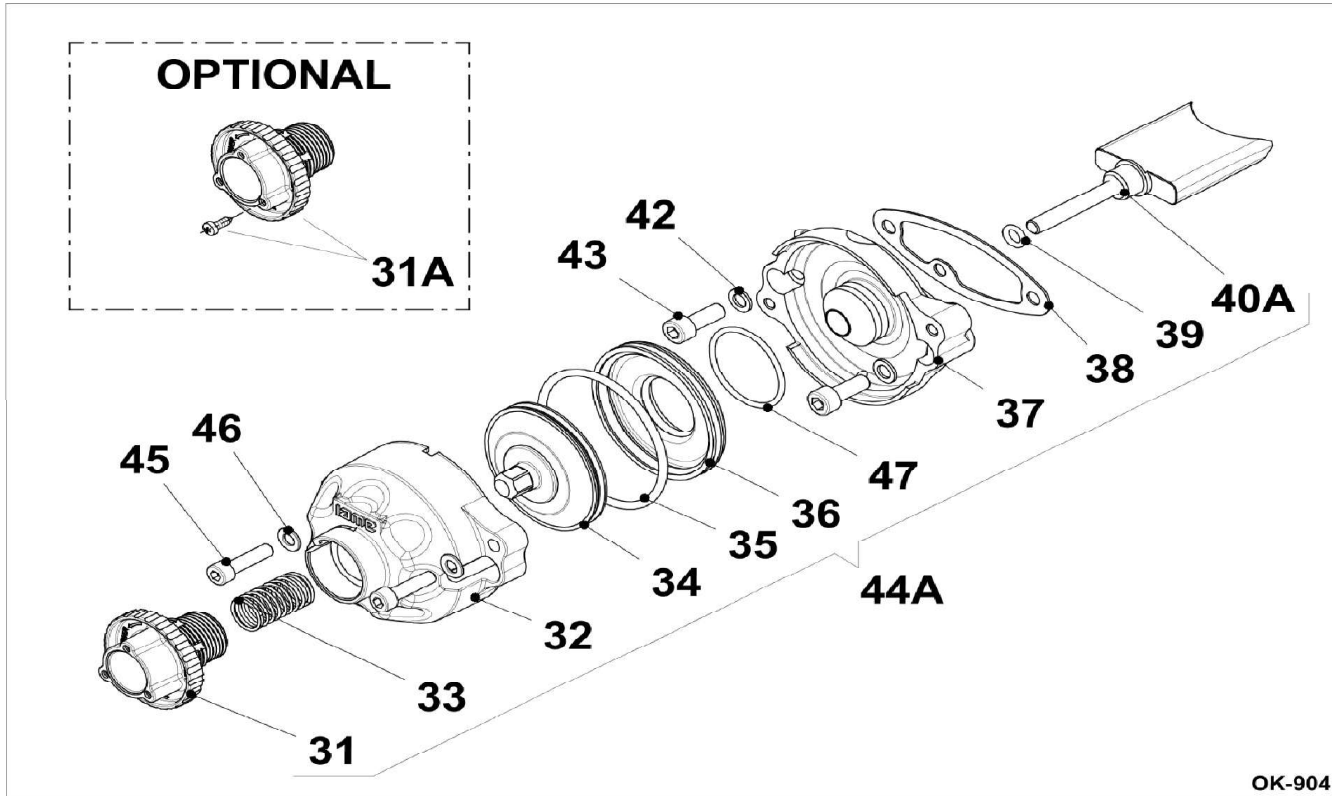


OK-901

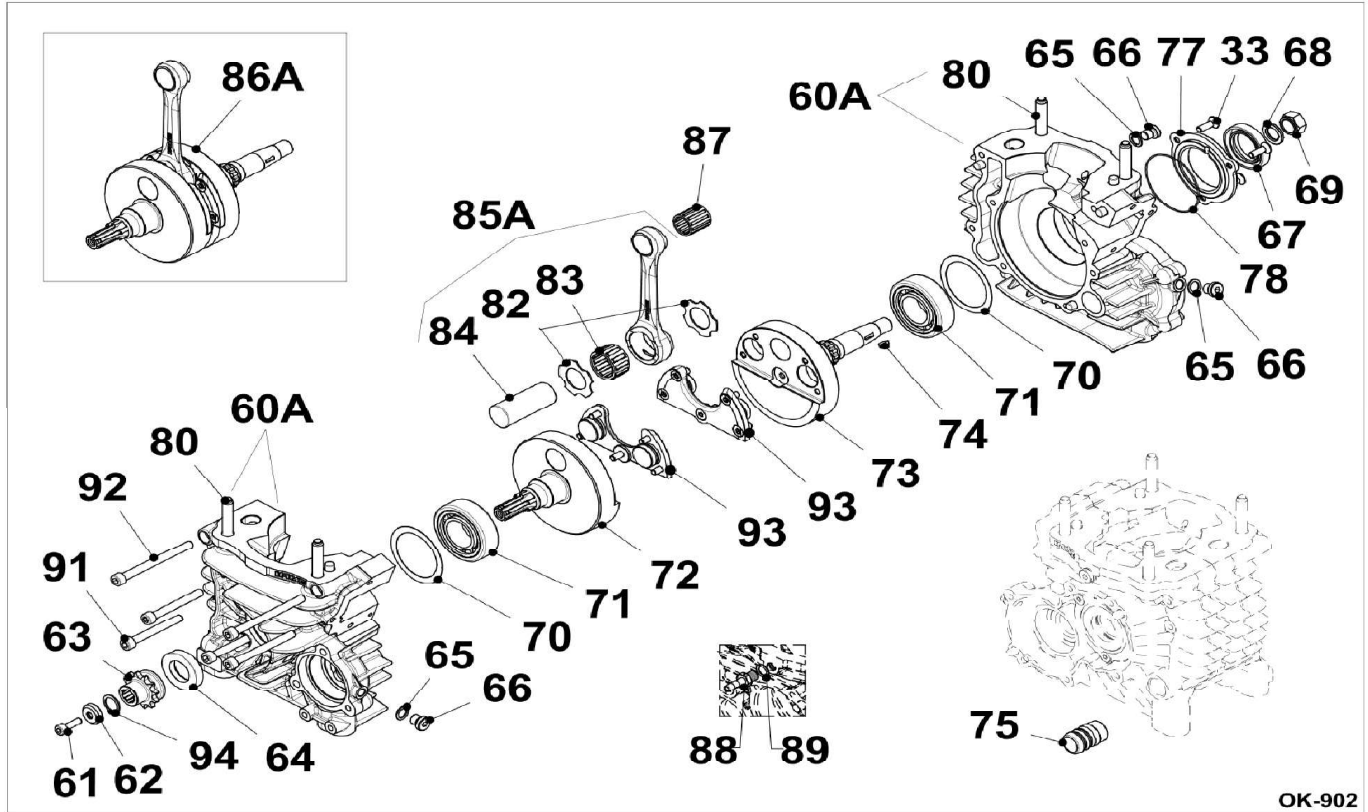
PISTON



EXHAUST VALVE

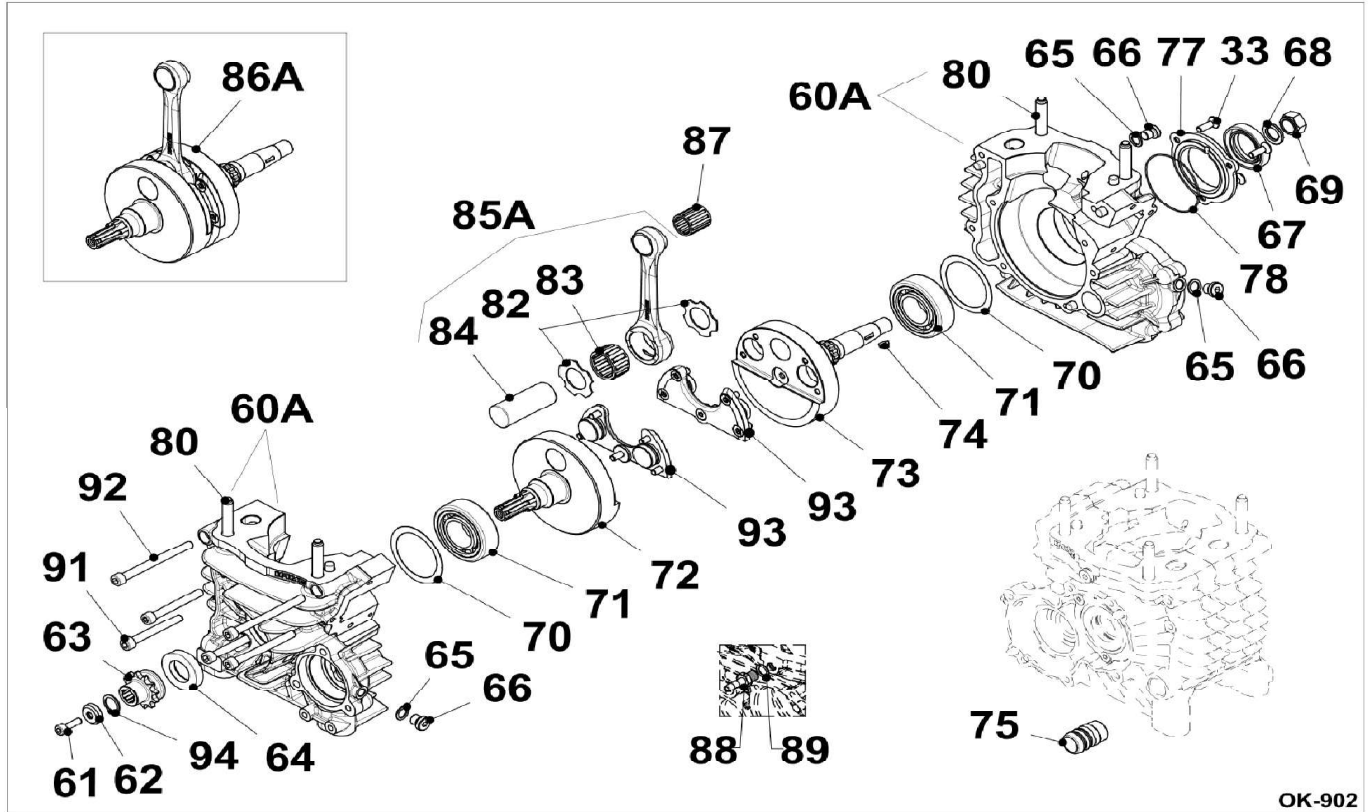


CRANCKCASE



OK-902

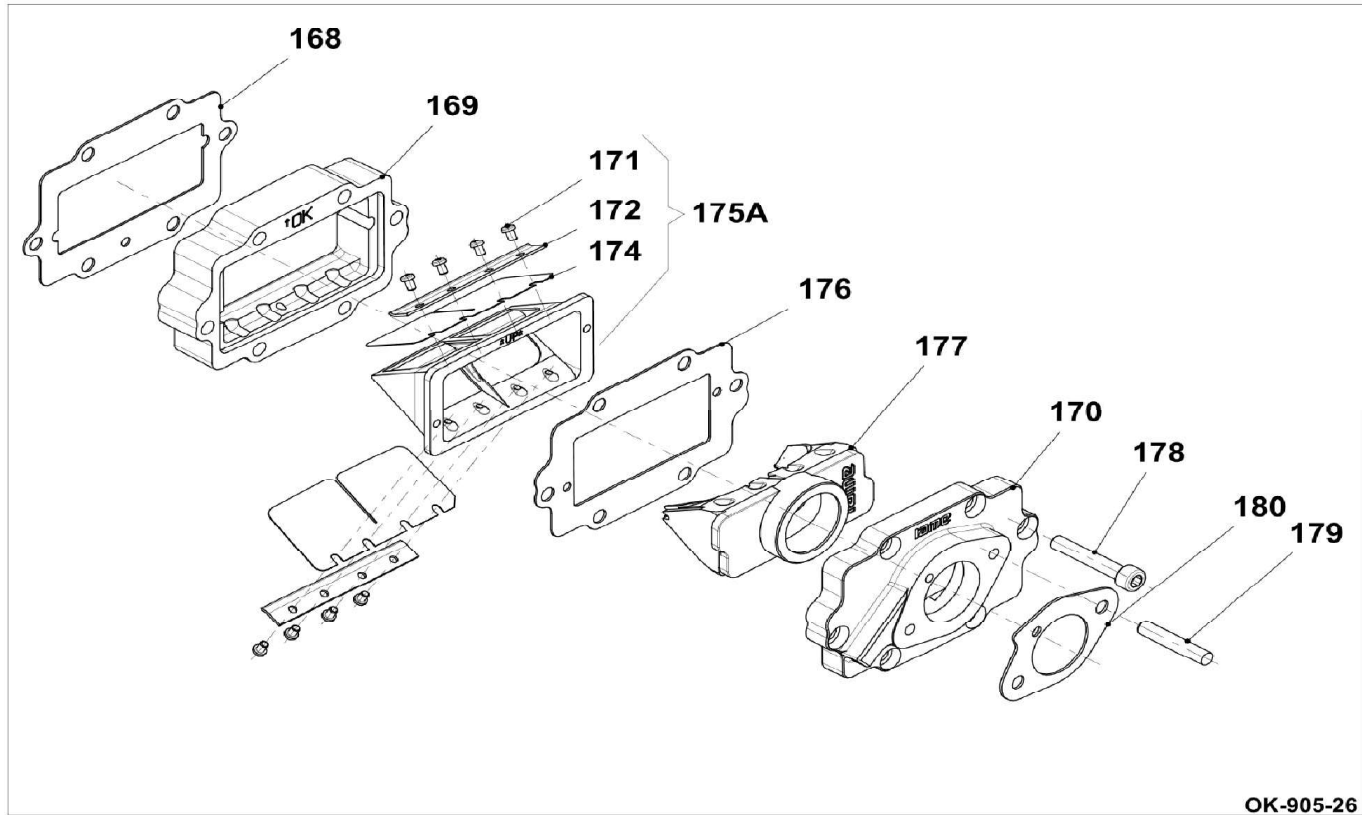
CRANCKCASE



OK-902

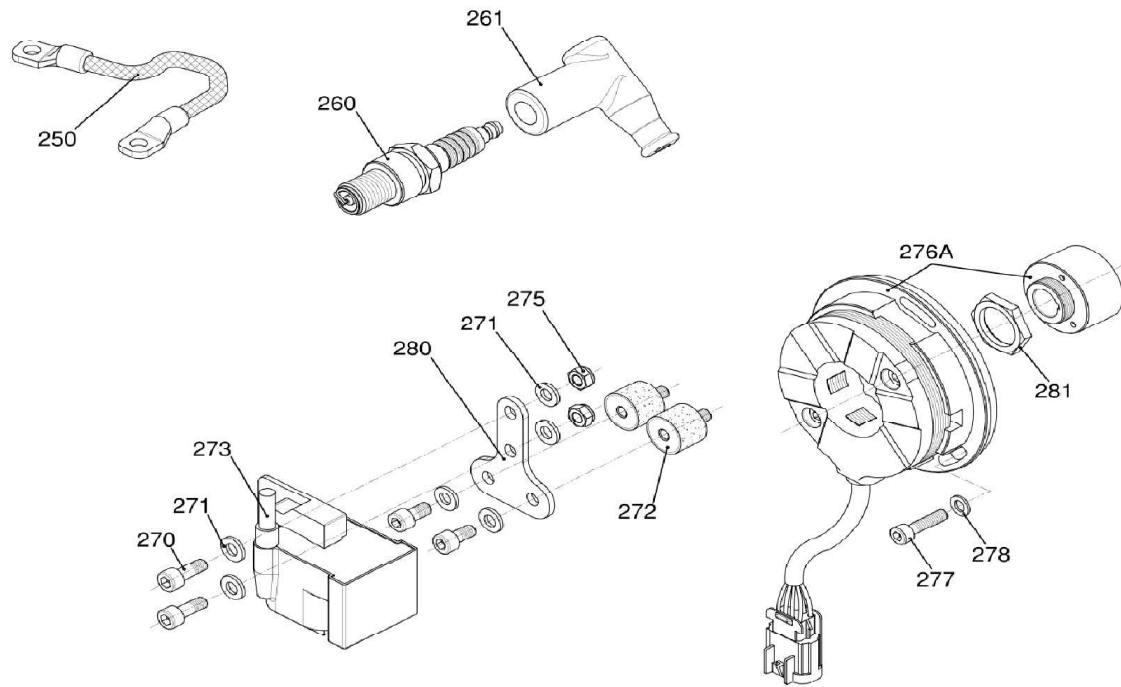
COUNTERSHAFT ASSY

INLET R125K



OK-905-26

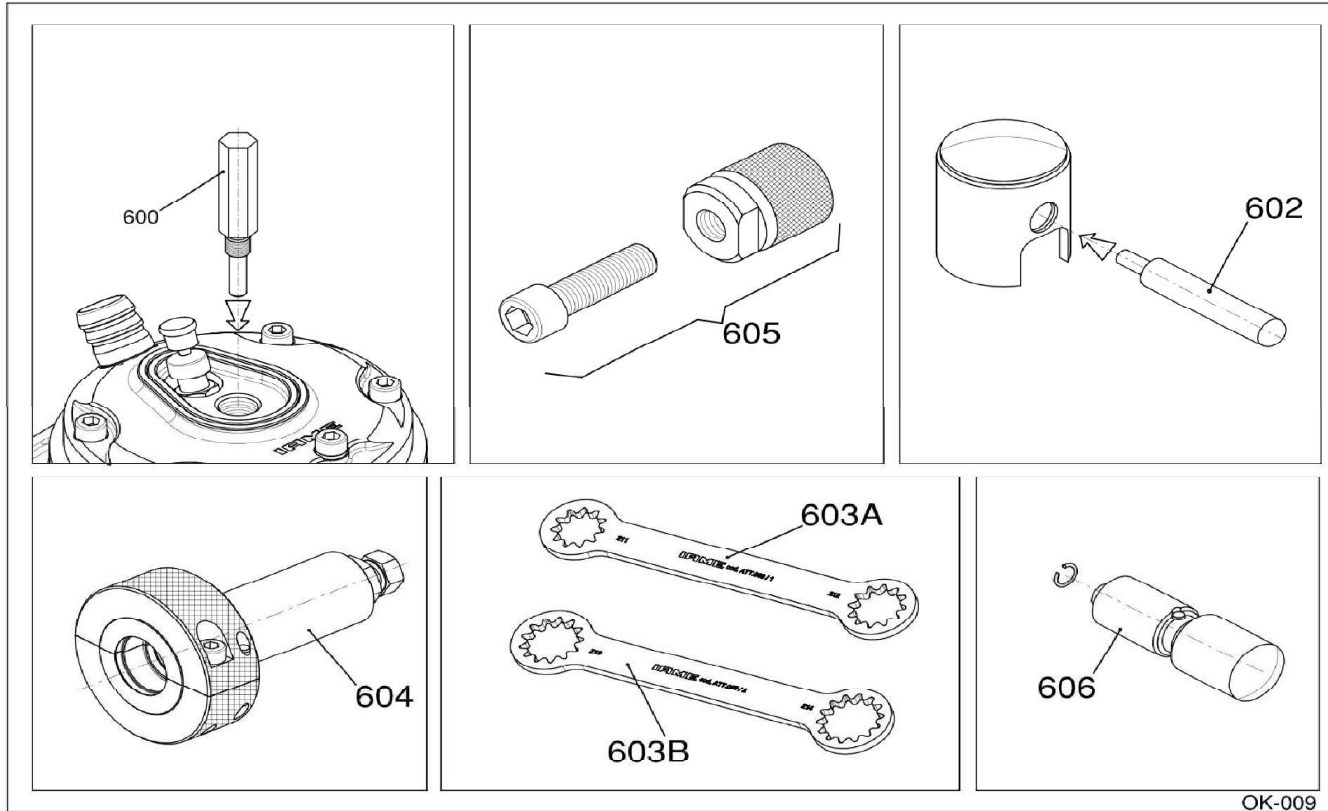
IGNITION



OK-007

EXHAUST & GASKETS

TOOLS



Cranksh.Ass./Disass. Timing control group

